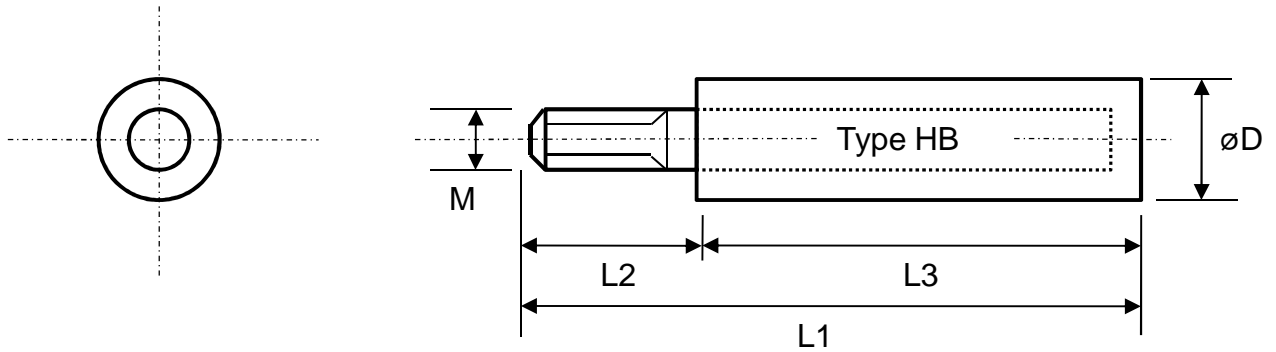


Date _____ (Request) (Order) Number _____

Client _____ City _____ Contact _____

Telephone _____ Fax _____ E-mail _____

Execution



Required amount : _____ (x)

Total length (L1) : _____ (mm)

Length of thread (L2) : _____ (mm)

Dimension thread (M) : (M3) (M4) (M5) (M6) (M8) (M10) (M12)

Usable length (L3) : _____ (mm)

Outer diameter (øD) : _____ (mm)

Class : Insulated / Not insulated

Material : Stainless steel / Brass / Steel

*** - Brushholder bolts are standard supplied with connectionset (2 x nut en 2 x washer)
